

Nominal data

Type	8312 H	
Nominal voltage	VDC	12
Nominal voltage range	VDC	6 .. 12.6
Speed	min ⁻¹	5000
Power input	W	6.4
Min. ambient temperature	°C	-20
Max. ambient temperature	°C	60
Air flow	m ³ /h	80
Sound power level	B	6.2
Sound pressure level	dB(A)	48

ml = Max. load · me = Max. efficiency · fa = Running at free air · cs = Customer specs · cu = Customer unit
Subject to alterations

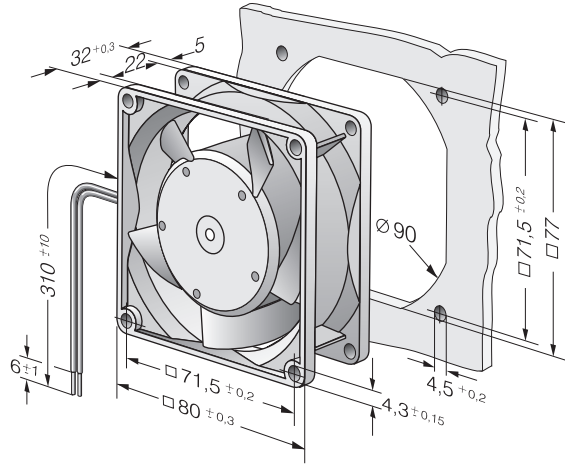
Technical features

Housing material	Fibreglass-reinforced plastic (PBT)
Impeller material	Fibreglass-reinforced plastic (PA)
Mass	0.170 kg
Dimensions	80 x 80 x 32 mm
Direction of air flow	Air exhaust over bars
Direction of rotation	Right, looking at rotor
Bearing	Ball bearings
Lifetime L10 at 40 °C	55000 h
Lifetime L10 at maximum temperature	35000 h
Connection line	Single strands AWG 22, TR 64, bared and tin-plated.
Motor protection	Protected against reverse polarity and locking.
Locked-rotor protection	Blocking and overload protection
Approval	VDE, CSA, UL, CE
Option	Special options: Speed signal Go / No-go alarm Alarm with limit speed External temperature sensor Internal temperature sensor PWM control input Analogue control input Moisture protection Protection against salt spray fog Protection rating: IP 54 / IP 68

8312 H

DC axial compact fan

Product drawing



Charts: Air flow

